



**SALES
&
HIRE**



DEMONSTRATION
& HOW-TO VIDEOS



DTF 25 SH

Electric with hydraulic traction

Article code	Power
708697	400 V, 50 HZ

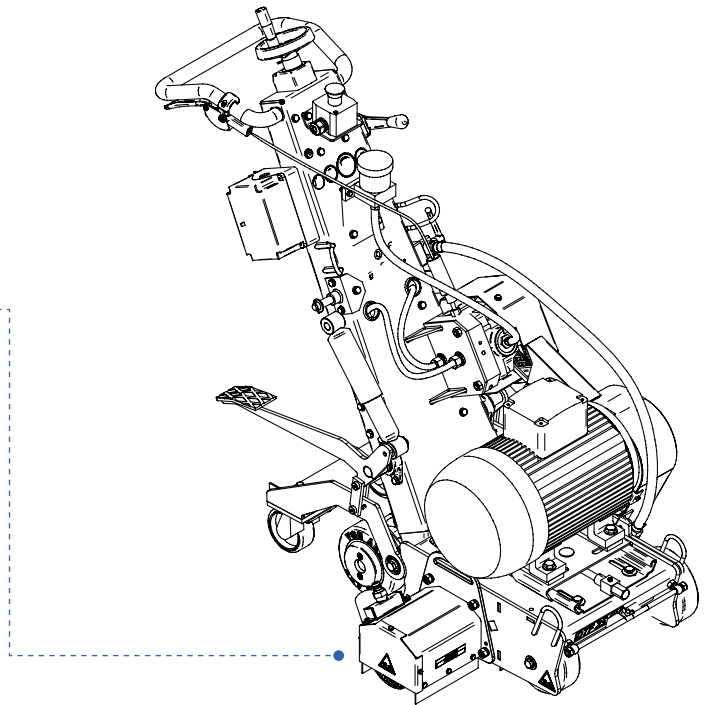
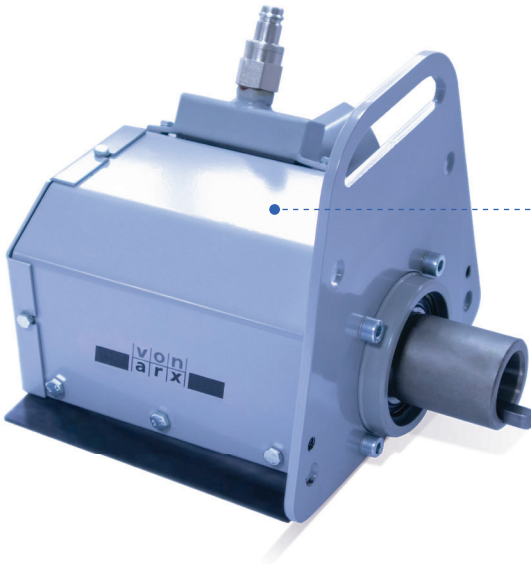
Key features	
Wattage / HP	11Kw / 14.8 HP
Working width	25 cm / 10"
Distance to wall	10 cm / 3.9"
Depth hard concrete	10 mm / .40"
Depth softer concrete	12 mm / .48"
Production / h	45-50 m ² / 485-540 ft ² / h on maximum depth
Standard blades included	72 pcs Diamond blades 125 mm / 5"

Physical parameters		
Weight kg / lbs	708697	225 / 496
Dimensions cm / inch	115×48×115 / 45×19×45	

Field of application	
<p>Depending on the blade type, hard, brittle to firm or elastic surface materials can be worked e.g.:</p>	<ul style="list-style-type: none"> • Asphalt and cast asphalt surfaces • Concrete and cement, synthetic stone, floor tiles • Screeds of cement, wood cement, ceramic etc. • Natural stone • Metals • Thermoplastic materials
<p>Surfaces made of highly elastic soft materials or fabrics and fiber materials cannot be worked, or can only be worked with certain limitations e.g.:</p>	<ul style="list-style-type: none"> • Latex, rubber, soft plastics and foam materials • Wood, carpets and woven materials

SF DTF 25

Side attachment unit **707534**



Field of application

The **SF DTF 25** side attachment unit allows to significantly decrease DTF 25 SH machines working distance from the wall.
The drum is not included.

Physical parameters

Weight kg / lbs	15 / 33
Dimensions mm / inch	320×215×200 / 13×8.5×8

Key features

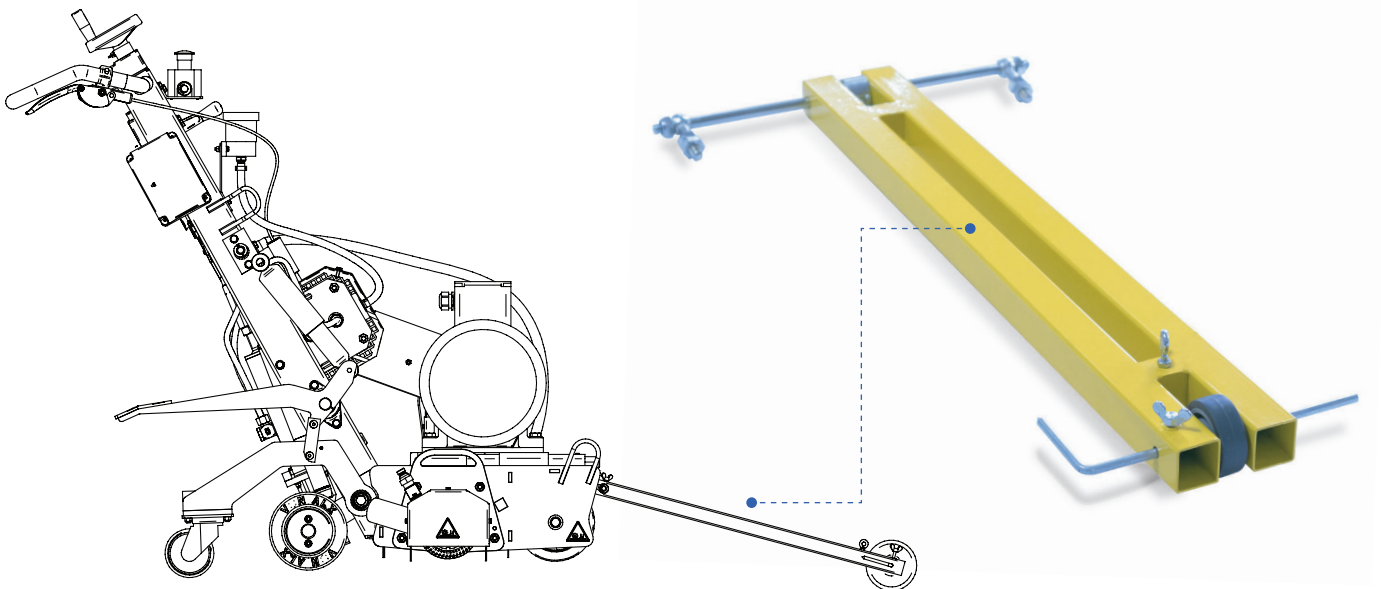
Working width	87 mm / 3.5"
Distance to wall	10 mm / 0.39"
Cooling	Water

⚠ Attention!

It is not possible to run the side attachment unit at the same time with the main diamond drum.

DIRECTIONAL GUIDE

701235





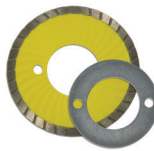



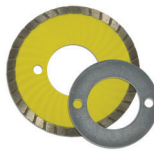

Field of application

The directional guide is particularly designed for DTF 25 SH machines to be able to follow the given direction accurately.

Physical parameters

Weight kg / lbs	2.5 / 5.5
Dimensions mm / inch	712x340x50 / 28x13x2

SPARE PARTS

Diamond blades for DTF 25 / DTF 25 H for regular concrete	Diamond blades set 707326		Complete drum 707289		<p>One set contains: 72 pcs diamond blades turbo 125 mm / 5" for regular concrete & 74 washers x 2 mm (1 x 2 mm in-between blades)</p> <p>One complete drum contains: 72 pcs diamond blades turbo 125 mm / 5" for regular concrete & 74 washers x 2 mm (1 x 2 mm in-between blades)</p>
Diamond blades for DTF 25 / DTF 25 H for hard concrete	Diamond blades set 800040		Complete drum 800036		<p>One set contains: 72 pcs diamond blades turbo 125 mm / 5" for hard concrete & 74 washers x 2 mm (1 x 2 mm in-between blades)</p> <p>One complete drum contains: 72 pcs diamond blades turbo 125 mm / 5" for hard concrete & 74 washers x 2 mm (1 x 2 mm in-between blades)</p>
Diamond blades for DTF 25 / DTF 25 H for regular concrete	Diamond blades set 800041		Complete drum 800034		<p>One set contains: 33 pcs diamond blades turbo 125 mm / 5" for regular concrete & 66 washers x 3 mm (2 x 3 mm in-between blades)</p> <p>One complete drum contains: 33 pcs diamond blades turbo 125 mm / 5" for regular concrete & 66 washers x 3 mm (2 x 3 mm in-between blades)</p>
Diamond blades for DTF 25 / DTF 25 H for hard concrete	Diamond blades set 800042		Complete drum 800035		<p>One set contains: 33 pcs diamond blades turbo 125 mm / 5" for hard concrete & 66 washers x 3 mm (2 x 3 mm in-between blades)</p> <p>One complete drum contains: 33 pcs diamond blades turbo 125 mm / 5" for hard concrete & 66 washers x 3 mm (2 x 3 mm in-between blades)</p>
Diamond blades for SF DTF 25 for regular concrete	Diamond blades set 707410		Complete drum 707417		<p>One set contains: 24 pcs diamond blades turbo 125 mm / 5" for regular concrete & 23 washers x 2 mm (1 x 2 mm in-between blades)</p> <p>One complete drum contains: 24 pcs diamond blades turbo 125 mm / 5" for regular concrete & 23 washers x 2 mm (1 x 2 mm in-between blades)</p>
Diamond blades for SF DTF 25 for hard concrete	Diamond blades set 800099		Complete drum 800098		<p>One set contains: 24 pcs diamond blades turbo 125 mm / 5" for hard concrete & 23 washers x 2 mm (1 x 2 mm in-between blades)</p> <p>One complete drum contains: 24 pcs diamond blades turbo 125 mm / 5" for hard concrete & 23 washers x 2 mm (1 x 2 mm in-between blades)</p>